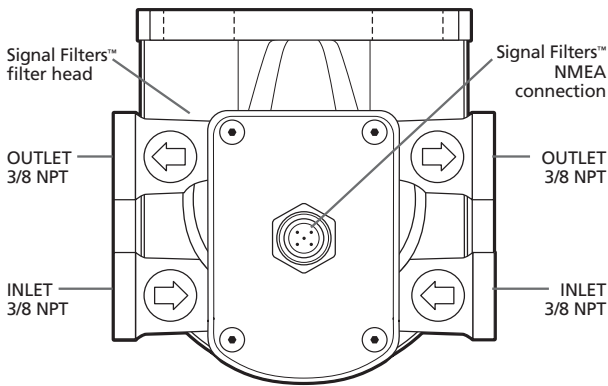


# SMART FUEL FILTER HEAD

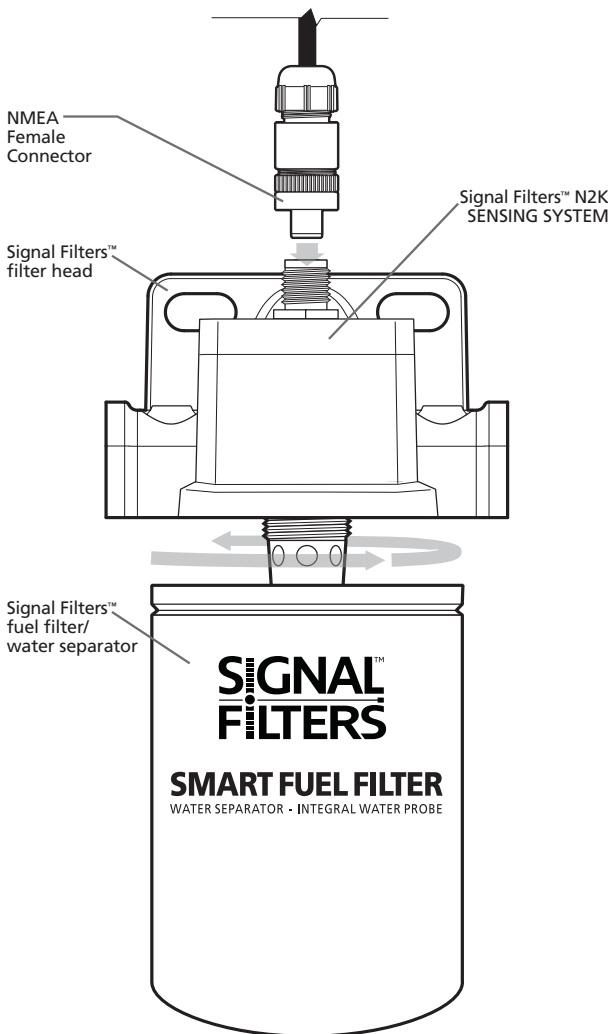
FOR NMEA 2000 INSTALLATION

**SFH N2K SS**

### TOP VIEW



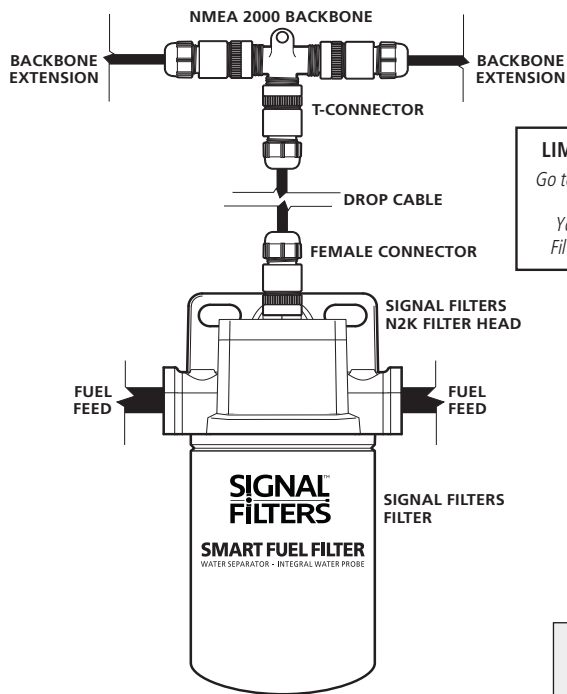
### FRONT VIEW



### BEFORE INSTALLING:

1. Be sure engine is turned off and fuel feeds are closed off.
2. Be sure to follow all safety precautions before installing the Signal Filters™ fuel filter system.

### INSTALLATION DIAGRAM:



#### LIMITED 3 YEAR WARRANTY

Go to [SignalFilters.com/warranty](http://SignalFilters.com/warranty) to activate warranty. You will need Serial Number on Filter Head and Installation Date.

#### INSTALLATION TIP: TESTING UNIT

After installation, test the system by unscrewing the filter a few turns before adding fuel. The stainless steel touch plug will then seat on the brass spud and ground the probe, simulating a ground path of water between the sensor rod inside the filter can. An alert will then show on your MFD (display).

### FILTER HEAD INSTALLATION:

1. Connect fuel hose from fuel tank to Signal Filters™ FILTER HEAD INLET.
2. Connect fuel hose from Signal Filters™ FILTER HEAD OUTLET to engine.
3. Insert plugs for unused INLET and OUTLET.
3. Add a T-Connector to your NMEA backbone with drop cable.
4. Connect the NMEA drop cable with female connector to Signal Filters™ N2K connection.

See installation diagram above for complete connections.

#### For Filter Installation:

Read instructions on filter or filter box.

### SIGNAL FILTERS™ OPERATION:

1. Follow the instructions on your MFD (display) on first power up of Signal Filters™ N2K.
2. During operation when Signal Filters™ detects water, there will be a short delay, then an alert will show on your MFD.
3. The default MFD alert will match alert on sticker, adhered to Signal Filters™ filter head. (Some MFD's default alert may be reprogrammed to match the other labels.)



For more on NMEA 2000 system visit [SignalFilters.com/NMEA](http://SignalFilters.com/NMEA)

Go to website for more info: [SignalFilters.com](http://SignalFilters.com)

Signal Filters™ is a registered trademark of and manufactured by Entratech Systems LLC | [SignalFilters.com](http://SignalFilters.com)